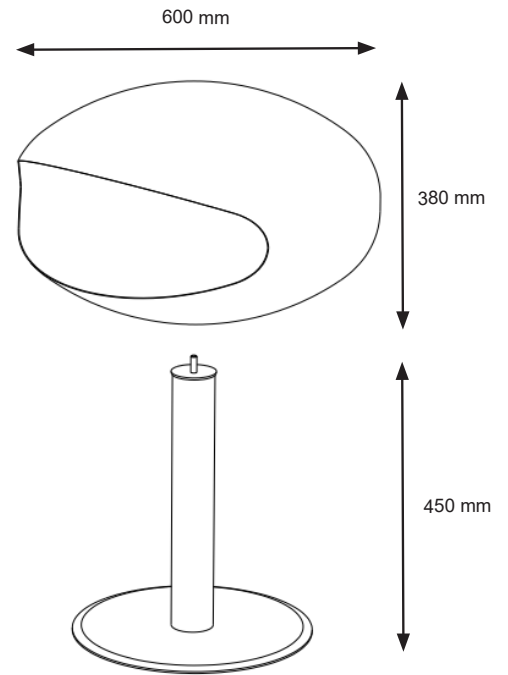




Pedestal Cocoon Fires



TECHNICAL SPECIFICATIONS

Type	Free-standing Bioethanol Fireplace
Size	Shell: Diameter: 600 mm / Height: 380 mm Pedestal Height 450 mm
Materials	Carbon steel and stainless steel
Weight	Approx. 24 kg
Burner	Adjustable manual bioethanol burner
Capacity	1.5 Liter
Usage	Approx. 0.30 L/hour - Up to 5h00m per filling
Fuel	Bioethanol (Recommended 96,6% alcohol)
Colour	Mat black shell, Polished steel or Mat black pedestal
Heat Output	3.0 kW
Electricity	No